



bomaksan[®]
INDUSTRIAL AIR FILTRATION SYSTEMS



YBFpro SERIES
COMPACT OIL MIST
COLLECTOR & FILTER



GENERAL FEATURES



PLUG & PLAY

Bomaksan branded YBFpro Compact Oil Mist Filter takes up less place thanks to its' compact design. It is a plug and play device that contains all accessories.



SILENCE

Bomaksan branded YBFpro Compact Oil Mist Filters are designed to work silencely. You can easily install them indoor.



ECONOMICAL

Bomaksan branded YBFpro Compact Oil Mist Filters decreases your installation expenses thanks to its easy setup and your air duct expenses due to its special design suitable to work indoors.



RECYCLE

Bomaksan branded YBFpro Compact Oil Mist Filters allow you to recycle the waste oil thanks to the filtration method.



DURABLE AND LEAK PROOF

Side and upper doors of cabin, makeup profile, chassis and carrying legs are produced with sufficient plate thickness and leak-proof is ensured by press inflection unifying with a nut.



EASY MAINTENANCE

Bomaksan branded YBFpro Compact Oil Mist Filter decreases your time and labor expenses minimum due to its custom-engineered coalescer filters and oil drainage system.

APPLICATIONS



Metal Working



Steel Foundries



Aviation



Foundries

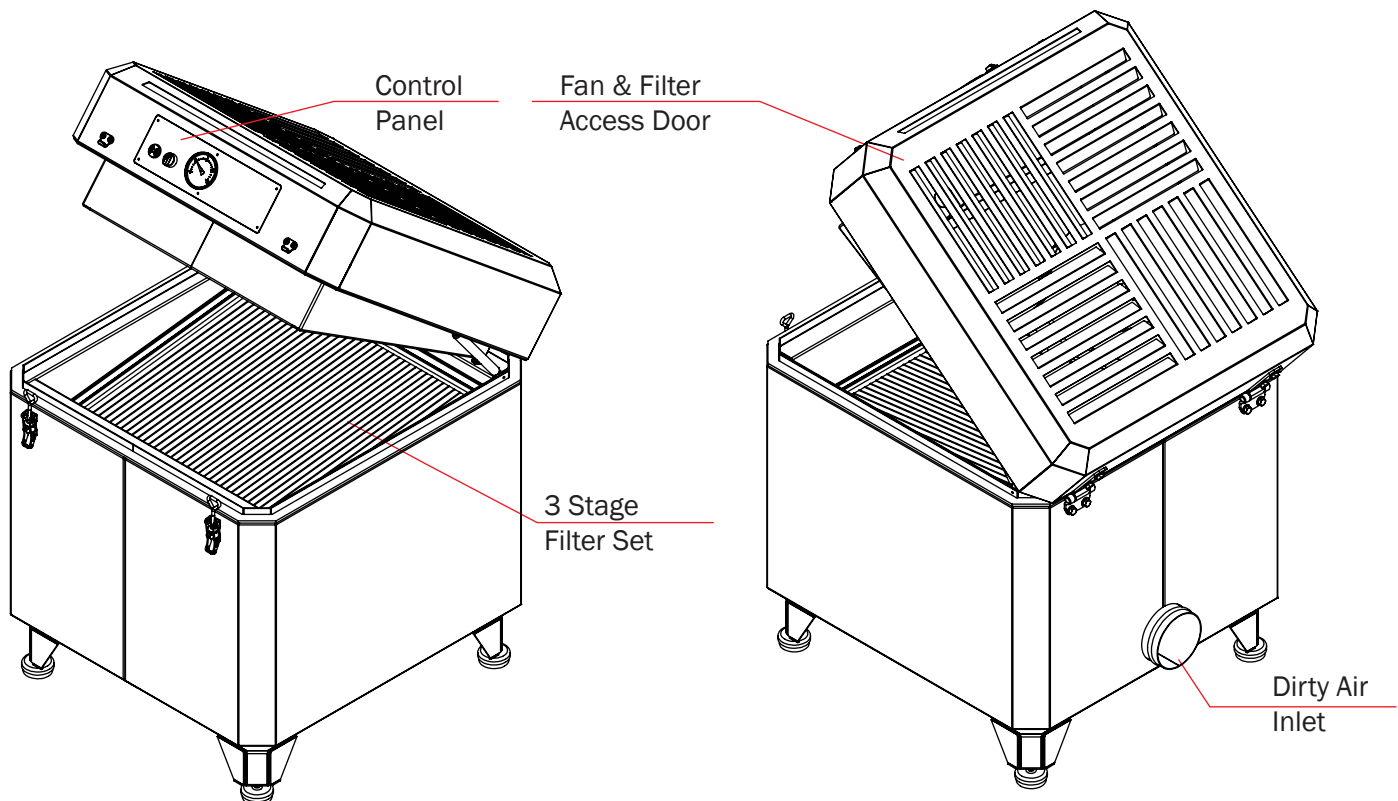


Automotive



Sheet Metal

HIGHLIGHTS



METAL FILTER

1

Metal filters condensates the rough oil in coming from dirty air inlet. They are washable and can be used again and again. If there is a corrosion on the filter, then they need to be replaced.



Washable



Recyclable

2

Fine oil particles which can pass through metal filters, enter to the aluminium mesh filter. Dirty air filtered while passing through mesh construction. They are washable but if mesh construction is broken, replacement required.



Washable



Recyclable

MESH FILTER

3

Final Stage Filtration

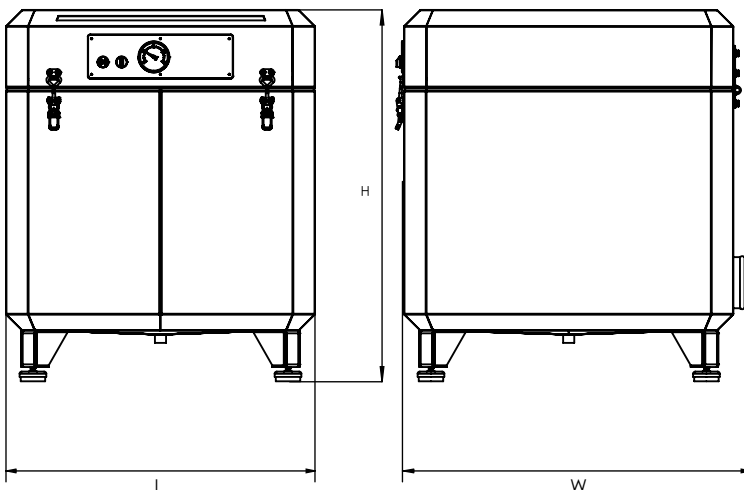


Coalescer filters prevent oil mist and fume to release to the ambient thanks to it's high tech filter media technology. Oil drops goes through several steps in coalescer media. After each step, oil drops are stand together and create bigger drop. After a certain size, bigger drops cannot hold on the media and fall down with gravitational force.



NOT Washable

COALESCER FILTER



TECHNICAL DATASHEET

MODEL	YBFproMINI	YBFproMIDI
Air Flow (m ³ /h)	600	1.000
Power Supply (V / Hz)	230 V / 50 Hz	230 V / 50 Hz
Motor Power (W)	190	2 x 170
Motor RPM (RPM)	2.620	4.200
Operational Temp. (°C)	0 / 80	0 / 80
Noise Level (dB)	68	72

DIMENSIONS

	YBFproMINI	YBFproMIDI
Weight (kg)	90	100
Width (W) (mm)	695	695
Length (L) (mm)	800	800
Height (H) (mm)	840	840



bomaksan[®]

INDUSTRIAL AIR FILTRATION SYSTEMS



RELIABLE • SUSTAINABLE • EXPERIENCED • GLOBAL • QUALIFIED

Authorized Reseller



Due to improvement on products, Bomaksan reserves the right to change or modify all information taking place in this brochure at any time without any prior notice

Web: www.bomaksan.com
Mail: export@bomaksan.com