

# ECOG Datasheet

## ● Overview



The breakthrough performance of the ECOG family of jet-pulse compact cartridge dust collectors is the result of Bomaksan's persistent drive to improve its products and exceed customer expectations. Bomaksan ECOG series dust and fume extraction unit is a compact dust collector with superior technology and energy efficiency, from low to medium dust load and fume extraction applications.

It is a suitable choice between 2.500 m<sup>3</sup>/h - 12.000 m<sup>3</sup>/h air capacities. These units show high performance in CNC Plasma / Laser / Oxy Cutting applications, in the filtration of Welding fumes, in filtering the dust released through the Grinding application, and in many other applications.

Bomaksan ECOG series dust and fume extraction unit have a compact structure with all their accessories pre-equipped. Thanks to this compact structure, it can work anywhere in the factory with an electrical and compressed air connection.



### PLUG & PLAY

Bomaksan branded ECOG Series Jet-Pulse Dust Collector takes up less place than its' compact design. It is a plug&play device that contains all accessories on its own.



### SILENT

Bomaksan branded ECOG Series Jet-Pulse Dust Collector enhances the air quality of your factory without reasoning noise pollution thanks to its' specially designed integrated silencer box



### ECONOMICAL

Bomaksan branded ECOG Series Jet-Pulse Dust Collector decreases your installation expenses thanks to its easy setup and your air duct expenses due to its special design suitable to work indoors.



### AUTO CLEANING

In BOMAKSAN brand Jet-Pulse filter units, compressed air cleaning works on the basis of differential pressure. In this way, the filters are cleaned only when necessary and the compressed air consumption is reduced.



### DURABLE & LEAK-PROOF

Side and upper doors of cabin, makeup profile, chassis and carrying legs are produced with sufficient plate thickness and leak-proof is ensured by press inflection unifying with a nut.



### EASY MAINTENANCE

Bomaksan branded ECOG Series Jet-Pulse Dust Collector decreases your time and labor cost thanks to its panel filter elements and custom-engineered dust bin.

## ● Standard Features

- |   |                                  |                                |
|---|----------------------------------|--------------------------------|
| ● F9 Class FR coated Cartridge Filters  | ● Working Hour Counter           | ● Fan Cabinet Noise Insulation |
| ● Jet-Pulse Automatic Cleaning System   | ● Integrated Spark Arrestor      | ● Remote Control Output        |
| ● dP Controlled Cleaning Control System | ● Radial Fan                     | ● Process Control Output       |
| ● Filter Clog Alarm                     | ● Fan Control Panel (Delta Star) | ● Indoor Installation Package  |

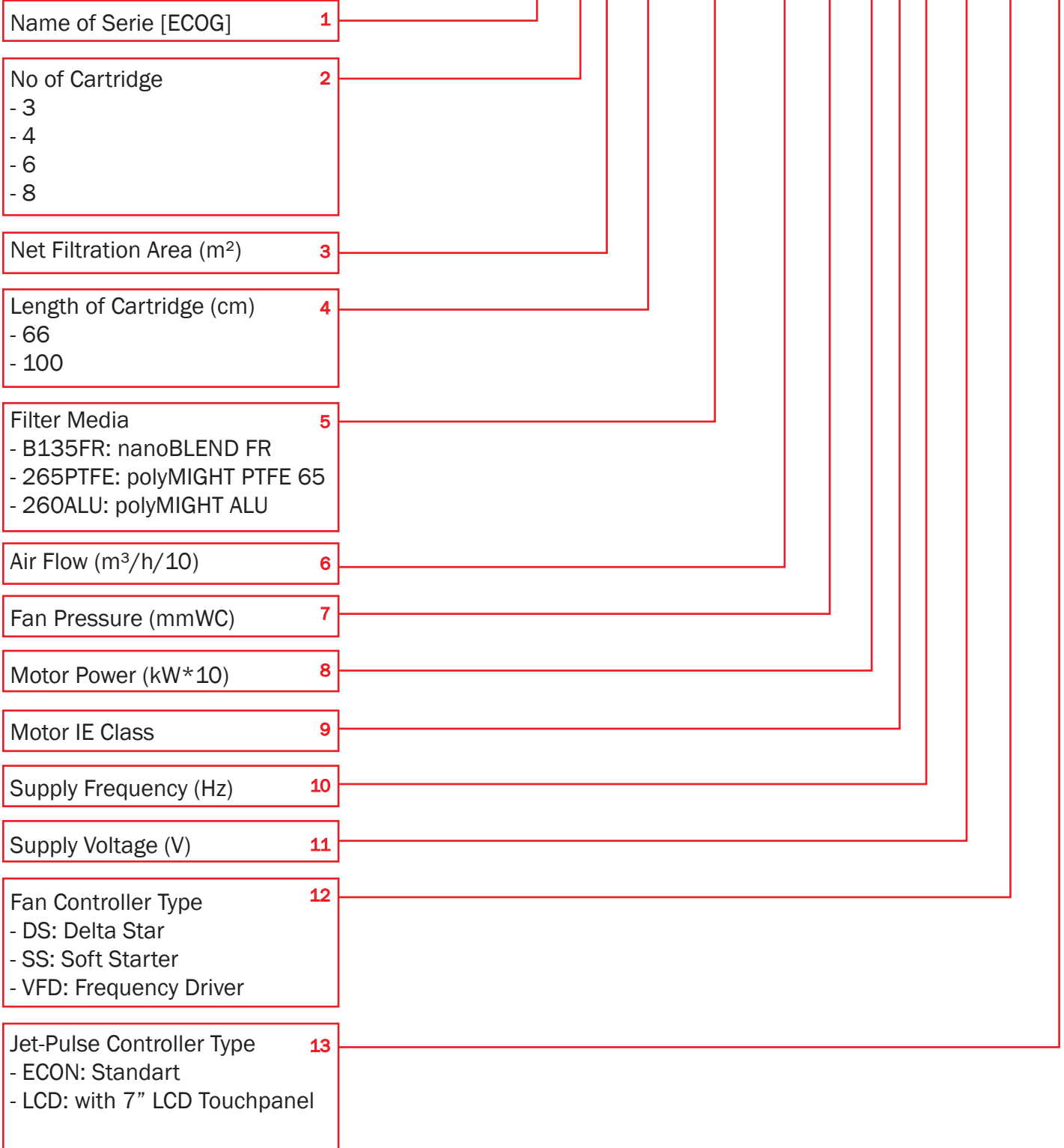
## ● Optional Features

- |                                     |                                |                         |
|-------------------------------------|--------------------------------|-------------------------|
| ● H12 Class ePTFE Cartridge Filters | ● EXPROOF Design               | ● VFD Fan Control Panel |
| ● 7" LCD Touchpanel                 | ● Explosion Vent               | ●                       |
| ● HEPA After Filter                 | ● EXPROOF Non-Return Valve     | ●                       |
| ● Automatic Fire Distinguisher      | ● Outdoor Installation Package | ●                       |

## HOW TO ORDER?

ECOG.3.90.100.B135FR.400.275.55.2.50.380.DS.ECON

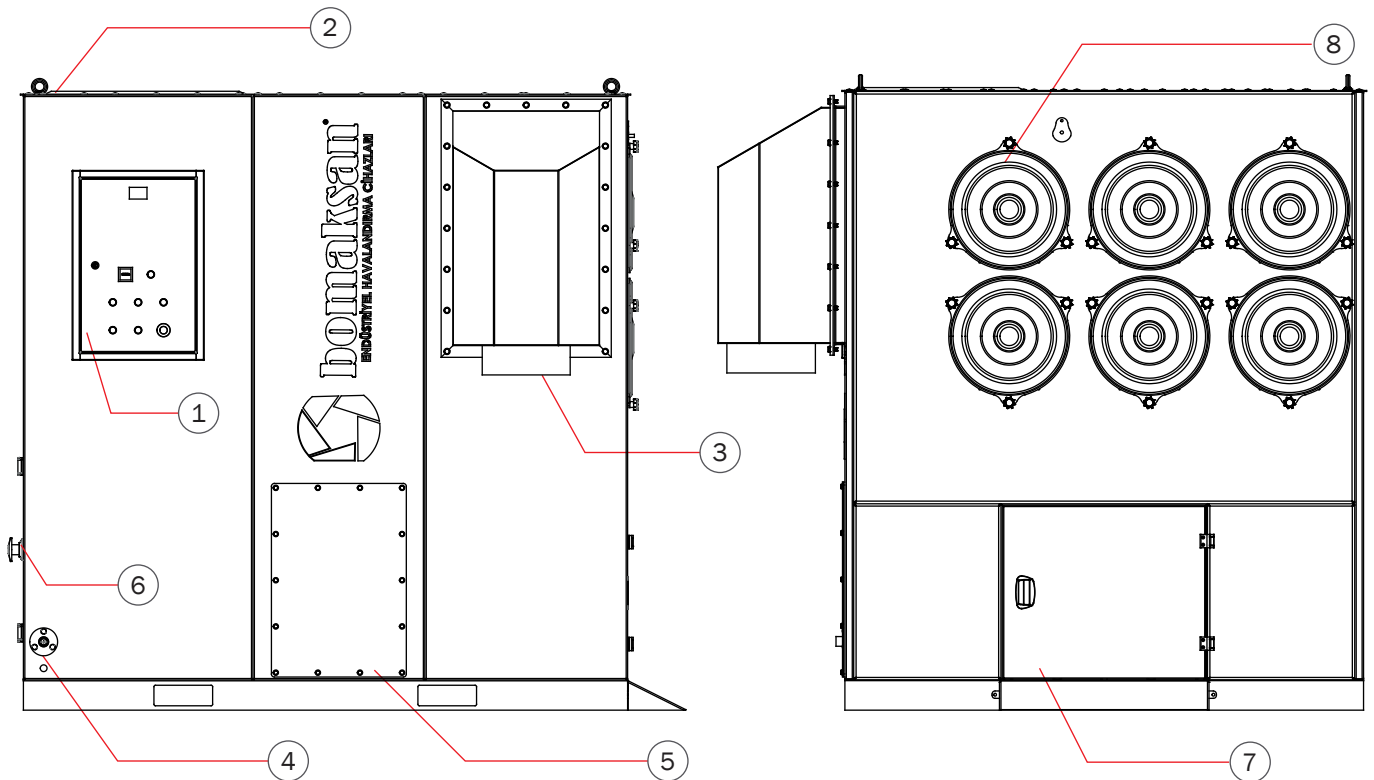
1 2 3 4 5 6 7 8 9 10 11 12 13



\*ECO Series has integrated fan, control panel and spark arrester.

\*\*Please contact us for the technical details.

## ● Part Description



NO	Part Name	NO	Part Name
1	Control Panel	5	Dirty Air Chamber Access Door
2	Clean Air Outlet	6	Fan & Pulse Valve Access Door
3	Dirty Air Inlet	7	Dust Bin Access Door
4	Compressed Air Connection	8	Cartridge Filter Access Door

## ● Filter Cartridges

- **B135FR** : nanoBLEND FR
  - nanofiber coating on 80/20 blend media
  - F9 Class

---

- **255P** : polyMIGHT 55
  - Spunbond non-woven polyester media
  - M Class

---

- **255HO** : polyMIGHT HO 55
  - PTFE coating on polyMIGHT 55
  - M Class

- **265PTFE** : polyMIGHT PTFE 65
  - ePTFE membrane on polyMIGHT 55
  - H13 Class

---

- **260ALU** : polyMIGHT ALU
  - Aluminium coating on polyMIGHT 55
  - M Class

---

- **255ALUPTFE**: polyMIGHT ALU PTFE 55
  - ePTFE membrane on polyMIGHT ALU
  - E11 Class

## ● Supply Voltage

● 3-Phase - 380/400 V - 50 Hz

● 3-Phase - 380/400 V - 60 Hz

● 3-Phase - 480 V - 50 Hz

● 3-Phase - 480 V - 60 Hz

## ● Compressed Air System

● Compressed Air Tank Volume

- ECOG.3 : 24 L

- ECOG.4 : 24 L

- ECOG.6 : 47 L

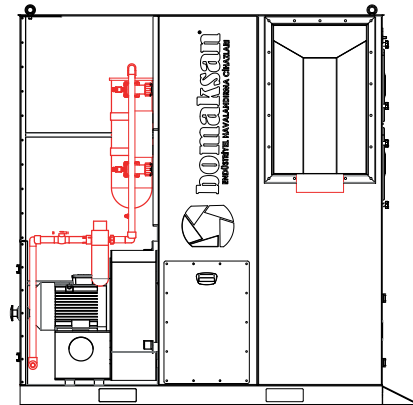
- ECOG.8 : 47 L

Supply Voltage for Valves : 24V - DC

Compressed Air Quality : ISO 8573-3 class 6 (oil free)

Required Pressure : 4-6 bar

Compressed Air Consumption : 25-30 NL / Pulse



## ● Controller

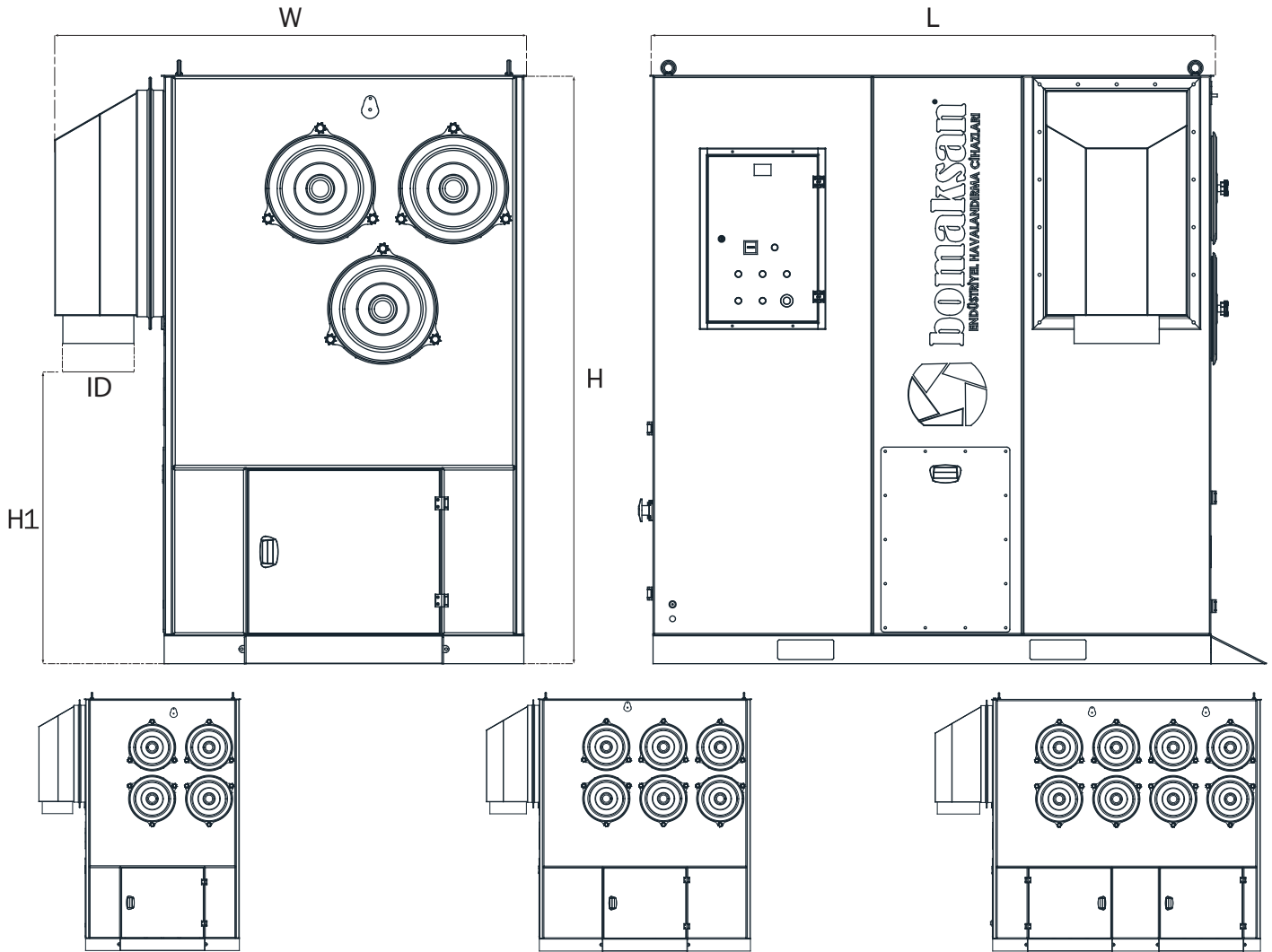
● Controller Code

- ECON : Control Panel

- LCD : Control Panel + 7" LCD Touchpanel



## ● Technical Specs

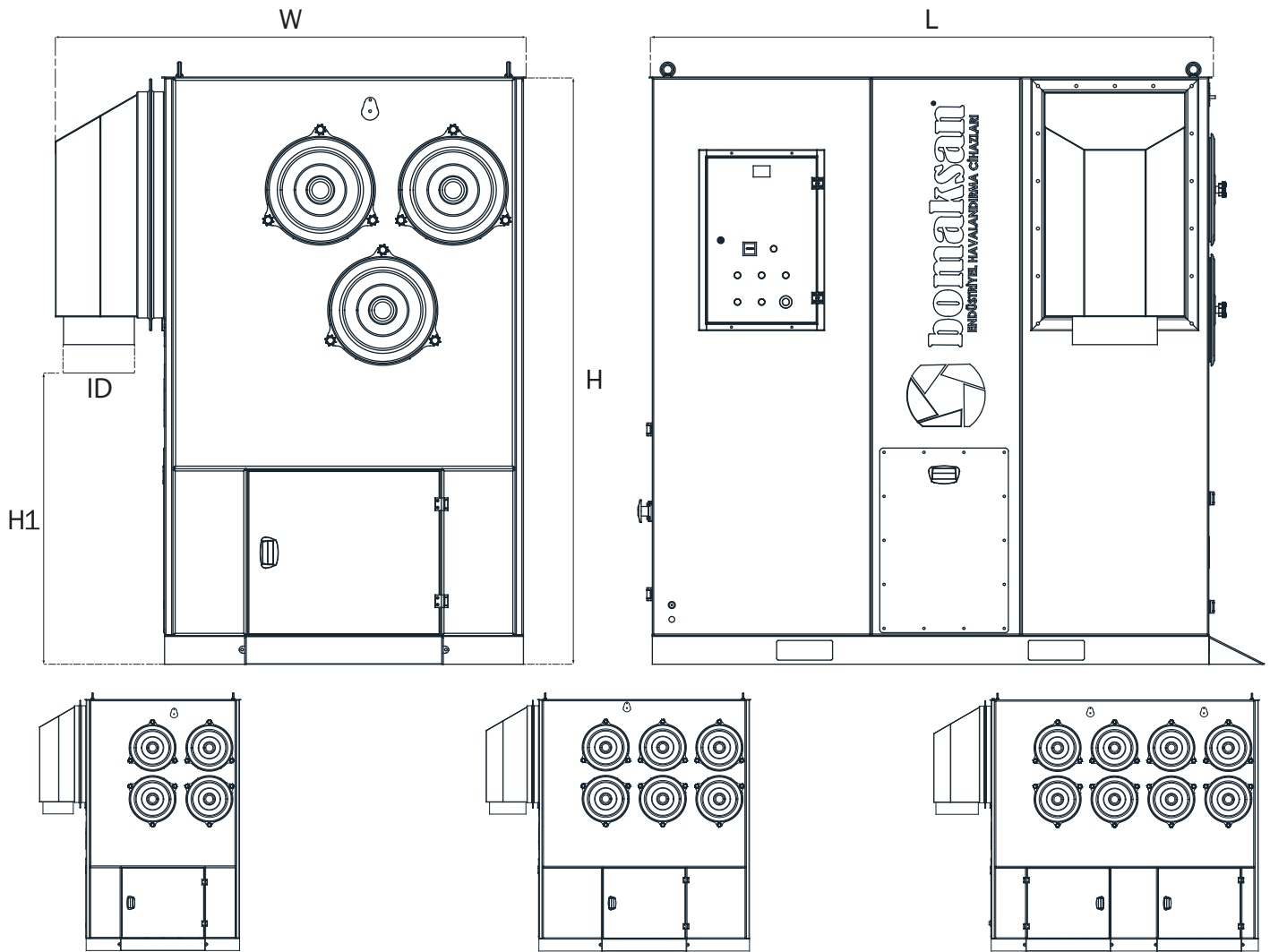


### TECHNICAL DETAILS

MODEL	ECOG.3.66	ECOG.4.66	ECOG.6.66	ECOG.8.66
Cartridge Filter (Unit)	3	4	6	8
Total Filtration Area (m <sup>2</sup> )	30 - 60	40 - 80	60 - 120	80 - 160
Filter Material	N/A	N/A	N/A	N/A
Fan Capacity (m <sup>3</sup> /h)	2.500 / 3.000	4.000	6.000	8.000 - 10.000
Filtration Velocity(m <sup>3</sup> /m <sup>2</sup> /min)	0,69 - 1,67	0,83 - 1,67	0,83 - 1,67	0,83 - 1,67
Fan Pressure (Pa)	2.750 - 4.250	2.750 - 4.250	2.750 - 4.250	2.750 - 4.250
Fan Motor Power (kW)	3 - 5,5	5,5 - 7,5	7,5 - 11	11 - 15
Pulse Valve (type- unit)	1' - 3	1' - 4	1' - 6	1' - 8
Req. Compressed Air (bar)	4-6	4-6	4-6	4-6
Power Supply (V ve Hz)	380V 50Hz	380V 50Hz	380V 50Hz	380V 50Hz
Operating Temperature (°C)	0/80 Dry Air	0/80 Dry Air	0/80 Dry Air	0/80 Dry Air
Cabin Strength (Pa)	Max. 5000	Max. 5000	Max. 5000	Max. 5000
DIMENSIONS	ECOG.3.66	ECOG.4.66	ECOG.6.66	ECOG.8.66
Width (W) (mm)	1.650	1.700	2.200	2.700
Length (L) (mm)	2.110	2.110	2.150	2.260
Height (H) (mm)	2.150	2.150	2.150	2.150
Dirty Air Inlet Height(H1) (mm)	1.150	1.150	1.150	1.150
Air Inlet Diameter (ID) (mm)	Ø200 - Ø300	Ø250	Ø300	Ø350 Ø400

\*Bomaksan reserves the right to change or modify the details in the list at any time.

## ● Technical Specs



### TECHNICAL DETAILS

MODEL	ECOG.3.100	ECOG.4.100	ECOG.6.100	ECOG.8.100
Cartridge Filter (Unit)	3	4	6	8
Total Filtration Area (m <sup>2</sup> )	45 - 90	60 - 120	90 - 180	120 - 240
Filter Material	N/A	N/A	N/A	N/A
Fan Capacity (m <sup>3</sup> /h)	2.500 / 5.000	4.000 - 6.000	5.000 - 10.000	8.000 - 12.000
Filtration Velocity(m <sup>3</sup> /m <sup>2</sup> /min)	0,74 - 1,48	0,69 - 1,67	0,74 - 1,67	0,69 - 1,67
Fan Pressure (Pa)	2.750 - 4.250	2.750 - 4.250	2.750 - 4.250	2.750 - 4.250
Fan Motor Power (kW)	3 - 7,5	5,5 - 11	5,5 - 15	11 - 18,5
Pulse Valve (type- unit)	1' - 3	1' - 4	1' - 6	1' - 8
Req. Compressed Air (bar)	4-6	4-6	4-6	4-6
Power Supply (V ve Hz)	380V 50Hz	380V 50Hz	380V 50Hz	380V 50Hz
Operating Temperature (°C)	0/80 Dry Air	0/80 Dry Air	0/80 Dry Air	0/80 Dry Air
Cabin Strength (Pa)	Max. 5000	Max. 5000	Max. 5000	Max. 5000
DIMENSIONS	ECOG.3.100	ECOG.4.100	ECOG.6.100	ECOG.8.100
Width (W) (mm)	1.650	1.700	2.200	2.720
Length (L) (mm)	2.450	2.550	2.600	2.650
Height (H) (mm)	2.150	2.150	2.150	2.150
Dirty Air Inlet Height(H1) (mm)	1.150	1.150	1.150	1.150
Air Inlet Diameter (ID) (mm)	Ø200 - Ø300	Ø250 - Ø300	Ø300 - Ø400	Ø350 - Ø450

\*Bomaksan reserves the right to change or modify the details in the list at any time.